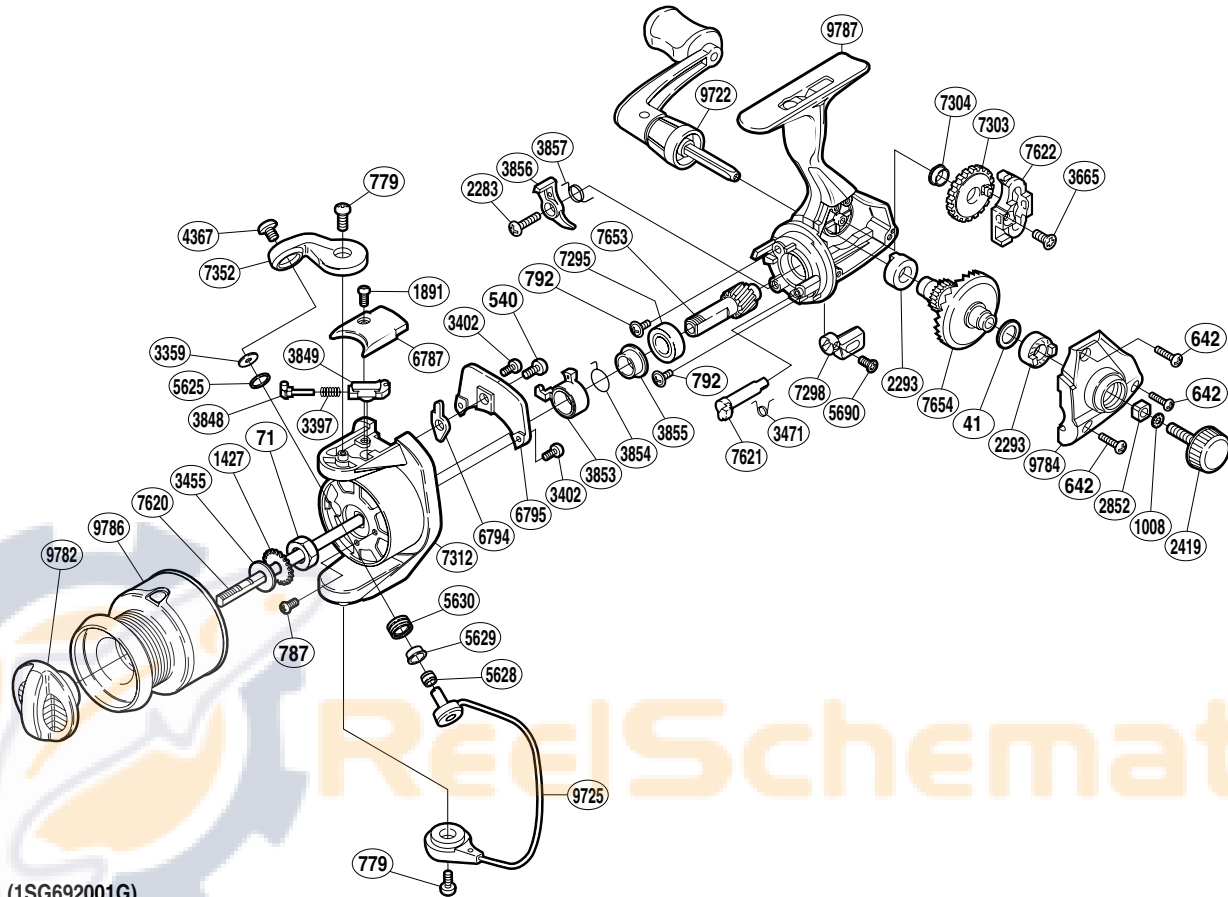


SHIMANO®

HYPERLOOP

HL-2000FA



(1SG692001G)

Part No.	Description	Part No.	Description	Part No.	Description
RD 0041	Washer	RD 3471	Anti-Reverse Cam Spring	RD 7295	Ball Bearing
RD 0071	Rotor Nut	RD 3665	Screw	RD 7298	Anti-Reverse Lever
RD 0540	Screw	RD 3848	Bail Spring Guide A	RD 7303	Oscillating Gear
RD 0642	Screw	RD 3849	Bail Spring Guide B	RD 7304	Oscillating Gear Bushing
RD 0779	Screw	RD 3853	Anti-Reverse Lock Out	RD 7312	Rotor
RD 0787	Screw	RD 3854	Anti-Reverse Lock Out Spring	RD 7352	Bail Arm
RD 0792	Screw	RD 3855	Lock Out Spring Holder	RD 7620	Main Shaft
RD 1008	Handle Lock Washer	RD 3856	Anti-Reverse Pawl	RD 7621	Anti-Reverse Cam
RD 1427	Spool Support	RD 3857	Anti-Reverse Pawl Spring	RD 7622	Oscillating Slider
RD 1891	Screw	RD 4367	Screw	RD 7653	Pinion Gear
RD 2283	Screw	RD 5625	Line Roller Spacer	RD 7654	Drive Gear
RD 2293	Drive Gear Bushing	RD 5628	Line Roller Collar	RD 9722	Handle Assembly
RD 2419	Handle Screw Cap	RD 5629	Line Roller Bushing	RD 9725	Bail Assembly
RD 2852	Handle Screw Lock	RD 5630	Line Roller	RD 9782	Drag Knob
RD 3359	Line Roller Washer	RD 5690	Screw	RD 9784	Side Cover
RD 3397	Bail Spring	RD 6787	Bail Spring Cover	RD 9786	Spool Assembly
RD 3402	Screw	RD 6794	Bail Trip Lever	RD 9787	Body
RD 3455	Spool Washer	RD 6795	Counterbalance Cover		